

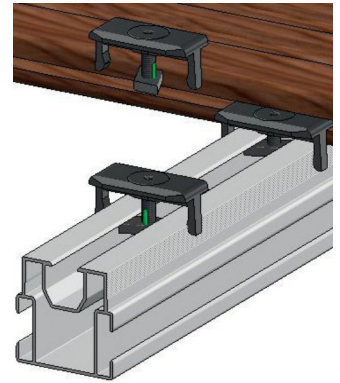
AL - SYSTEM

ALUMINIUM FIXING SYSTEM



MAIN ADVANTAGES OF AL - SYSTEM

- FASTER INSTALLATION - UP TO 50%
- LIGHTWEIGHT CONSTRUCTION
- EASY FOR MANIPULATION
- PRECISE INSTALLATION
- BLACK COLORED COMPOSITE CLIPS
- EASY TO DISASSEMBLE (IN ENTIRE AREA OF THE DECKING)
- INSTALLATION WITHOUT ANY DRILLING
- 5 YEARS WARRANTY



ITEM

AL - JOIST 23 x 35 x 4000 mm

AL - COUPLING - JOIST 23

AL - JOIST 40 x 40 x 4000 mm

AL - COUPLING - JOIST 40

AL - JOIST 75 x 40 x 4000 mm

AL - COUPLING - JOIST 75

AL - CORNER JOINT - JOIST 40 and 75

AL - STANDARD CLIP (PREMIUM + MAX)

AL - START CLIP 7 mm (PREMIUM + MAX +TOP)

CLIP TOP A2 DOUBLESIDED (STAINLESS STEEL A2)

CLIP TOP A4 DOUBLESIDED (STAINLESS STEEL A4)

AL - TOP NUT 1/2

AL - BOLT TOP 2/2

MAXIMUM UNSUPPORTED PART OF AL - JOISTS

AL - JOIST 23 max. 30 cm

AL - JOIST 40 max. 50 cm

AL - JOIST 75 max. 100 cm

WPC – WOODPLASTIC a.s.

T: +420 321 001 523
E: wpc@woodplastic.eu
w: www.woodplastic.eu

AL - SYSTEM



ALUMINIUM FIXING SYSTEM

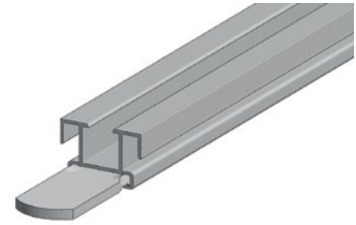
AL - JOIST 23



AL - JOIST 23



AL - COUPLING - JOIST 23



USE OF AL - COUPLING

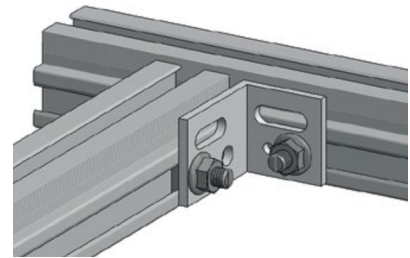
AL - JOIST 40



AL - JOIST 40



AL - COUPLING - JOIST 40



AL - CORNER JOINT

AL - JOIST 75



AL - JOIST 75



AL - COUPLING - JOIST 75



AL - CORNER JOINT

KLIPY K AL - SYSTÉMU



AL -
STANDARD CLIP
(FOR PROFILE
PREMIUM & MAX)



CLIP TOP BOTHSIDED
(FOR PROFILE TOP)



AL - NUT (1/2) and
AL - BOLT (2/2)
FOR CLIP TOP BOTHSIDED
(FOR PROFILE TOP)



AL - START CLIP
7 mm
(ALL PROFILES)