

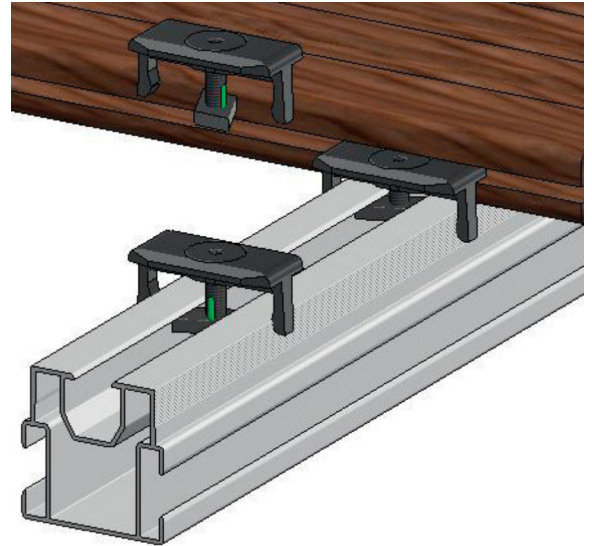
# AL - SYSTEM



## ALUMINIUM FIXING SYSTEM

### MAIN ADVANTAGES OF AL - SYSTEM

- FASTER INSTALLATION - UP TO 50%
- LIGHTWEIGHT CONSTRUCTION
- EASY FOR MANIPULATION
- PRECISE INSTALLATION
- BLACK COLORED COMPOSITE CLIPS
- EASY TO DISASSEMBLE (IN ENTIRE AREA OF THE DECKING)
- INSTALLATION WITHOUT ANY DRILLING
- 5 YEARS WARRANTY



### ITEM

AL - JOIST 23 x 35 x 4000 mm

AL - COUPLING - JOIST 23

---

AL - JOIST 40 x 43 x 4000 mm

AL - COUPLING - JOIST 40

---

AL - JOIST 75 x 40 x 4000 mm

AL - COUPLING - JOIST 75

---

AL - CORNER JOINT - JOIST 40 / 75

---

AL - STANDARD CLIP - 100 pcs

AL - START CLIP - 1 pc

---

TOP CLIP

---

AL - TOP NUT 1/2

---

AL - BOLT TOP 2/2

### INSTALLATION

#### MAXIMUM UNSUPPORTED PART OF JOISTS

---

AL - JOIST 23	max. 30 cm
AL - JOIST 40	max. 50 cm
AL - JOIST 75	max. 100 cm

**WPC - WOODPLASTIC** a.s.

E: [info@woodplastic.eu](mailto:info@woodplastic.eu)  
w: [www.woodplastic.eu](http://www.woodplastic.eu)

# AL - SYSTEM

## ALUMINIUM FIXING SYSTEM



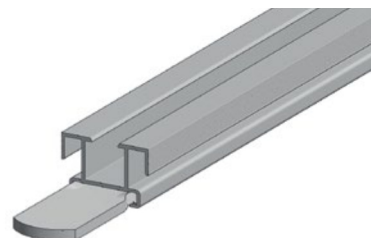
### AL - JOIST 23



AL - JOIST 23



AL - COUPLING - JOIST 23



USE OF AL - COUPLING

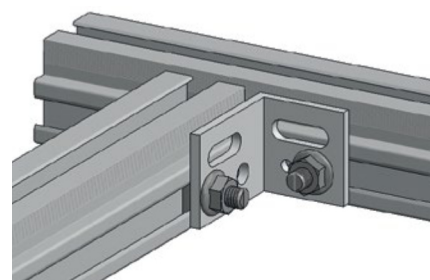
### AL - JOIST 40



AL - JOIST 40



AL - COUPLING - JOIST 40



AL - CORNER JOINT

### AL - JOIST 75



AL - JOIST 75



AL - COUPLING - JOIST 75



AL - CORNER JOINT

### CLIPS FOR AL - SYSTEM



AL - STANDARD CLIP



AL - CLIP FOR TOP BOTH SIDED



AL - NUT 1/2 AND  
AL - BOLT 2/2 FOR  
BOTH-SIDED CLIP  
(PROFILE TOP)



AL - START CLIP  
(ALL PROFILES)