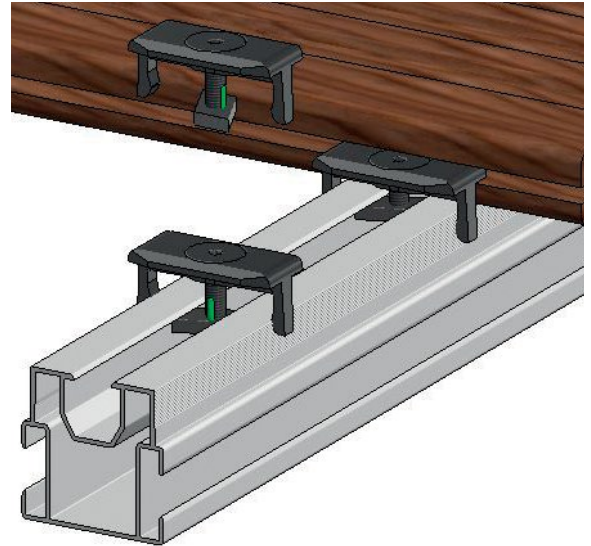


SMART

ALUMINIUM FIXING SYSTEM

MAIN ADVANTAGES OF SMART SYSTEM

- FASTER INSTALLATION - UP TO 50%
- LIGHTWEIGHT CONSTRUCTION
- EASY FOR MANIPULATION
- PRECISE INSTALLATION
- BLACK COLORED COMPOSITE CLIPS
- EASY TO DISASSEMBLE (IN ENTIRE AREA OF THE DECKING)
- INSTALLATION WITHOUT ANY DRILLING
- 5 YEARS WARRANTY



ITEM

JOIST 23 x 35 x 4000 mm

COUPLING - JOIST 23

JOIST 40 x 43 x 4000 mm

COUPLING - JOIST 40

JOIST 75 x 40 x 4000 mm

COUPLING - JOIST 75

CORNER JOINT - JOIST 40 / 75

STANDARD CLIP - 100 pcs

START CLIP - 1 pc

TOP CLIP

TOP NUT 1/1

SCREW TOP 2/2

INSTALLATION

MAXIMUM DISTANCE BETWEEN SUPPORT OF JOISTS

JOIST 23	max. 30 cm
JOIST 40	max. 50 cm
JOIST 75	max. 100 cm

WPC - WOODPLASTIC a.s.

E: info@woodplastic.eu
w: www.woodplastic.eu

SMART



ALUMINIUM FIXING SYSTEM

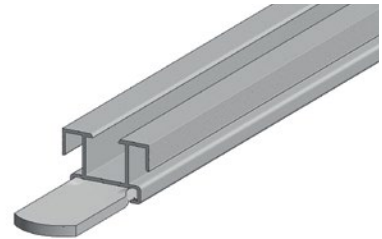
SMART JOIST 23



JOIST 23



COUPLING - JOIST 23



USE OF COUPLING

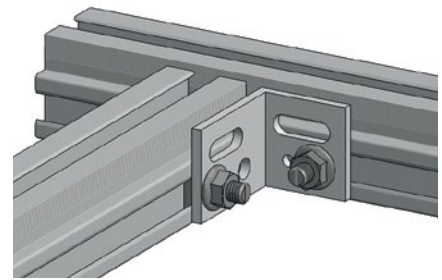
SMART JOIST 40



JOIST 40



COUPLING - JOIST 40



CORNER JOINT

SMART JOIST 75



JOIST 75



COUPLING - JOIST 75



CORNER JOINT

CLIPS FOR SMART SYSTEM



STANDARD CLIP



DOUBE-SIDED CLIP
(TOP)



AL NUT AND SCREW
DOUBLE-SIDED CLIP
(TOP)



START CLIP
(TOP, PREMIUM, MAX)